

TCM130 - EnOcean User Programmable



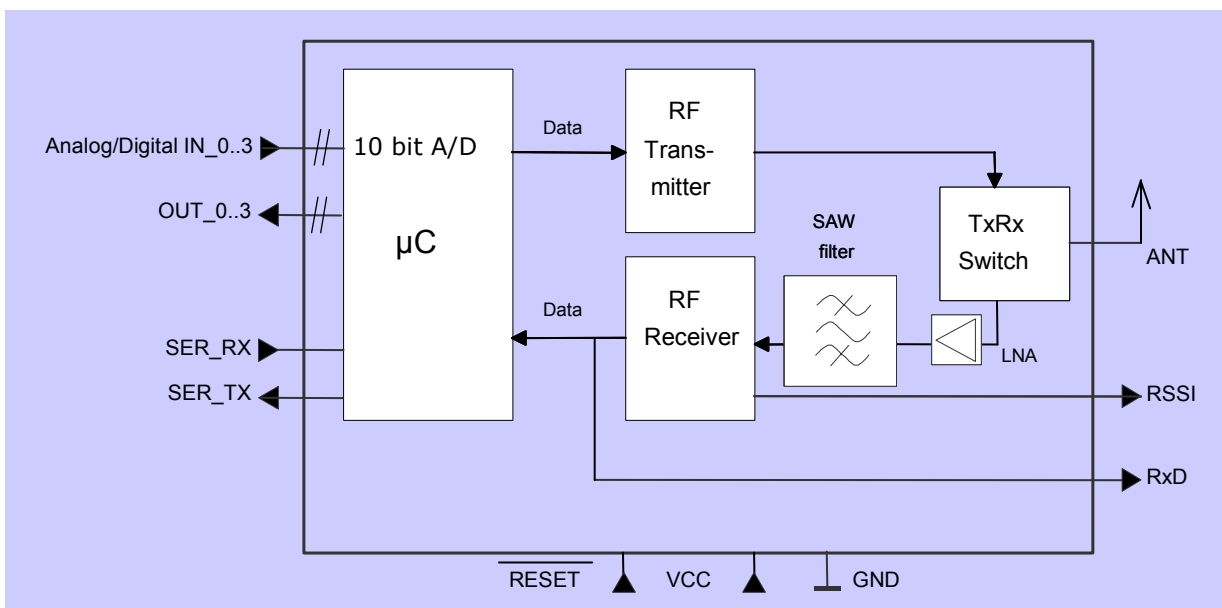
The TCM 130 is a software API for the transceiver module TCM 120 of EnOcean. It enables the realization of bi-directional RF applications based on the innovative EnOcean 868 MHz radio technology.



TCM 120 module

Basic functionalities

- Bi-directional interface for EnOcean radio telegrams
 - All different kinds of EnOcean radio telegrams can be generated and received
 - The TCM 130 can send on 128 different IDs (derived from 1 base number)
 - Integrated filter functionality
 - Integrated repeater functionality
- Bi-directional serial interface support (9.6 kbps – 57.6 kbps)
- Read analog and digital inputs, write digital outputs
- EEPROM read/write
- Timer functionality
- Various power-down modes (down to 100 nA!)



Type	Ordering Code	Description
TCM 120	S3003-K120	Bi-directional radio module
TCM 130 Starter Kit	S3004-K130	Library on CD-ROM + Evaluation board + Adapter for Microchip MPLAB [®] ICD 2 ¹ + 2 TCM 120 modules

¹ MPLAB[®] ICD 2 and MPLAB[®] C18 C-Compiler have to be purchased from Microchip
MPLAB[®] IDE is available for free download from www.microchip.com