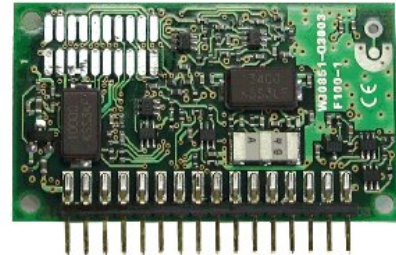


EnOcean Repeater Module TCM 110

The repeater module TCM 110 of EnOcean enables the realization of highly efficient RF repeaters for EnOcean radio systems.

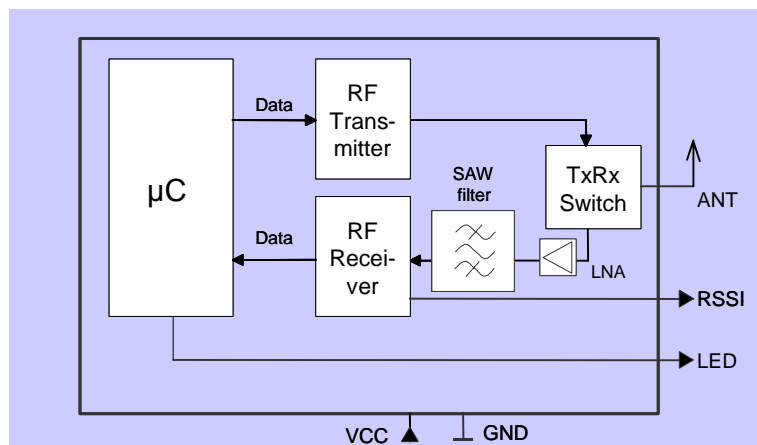
A typical application is the easy to install local optimisation of system radio coverage to ensure good radio reception behind shadowing objects or in recesses behind room corners for example.



The TCM 110 transceiver module serves the 868 MHz air interface protocol of EnOcean. It receives all signals of the EnOcean radio transmitters and sends refreshed signals to any EnOcean radio receiver.

Technical Data

- Frequency / Modulation type / Transmission power:** 868.3 MHz / ASK / max. 10 mW
- Data rate (transmitter) / Channel bandwidth (receiver):**..... 120 kbps / 280 kHz
- Transmission range:**300 m free field
- Signal Repeater functionality:** one level repeating of received EnOcean telegrams
- Power Supply Voltage:** 5V +10%/-5%
- Power Supply Operation Current (receive / transmit):** approx. 30 mA
- Transmitting indication output (LED):** 20 mA max., approx. 3x1 ms within 50 ms
- Antenna:**No antenna installed, 9 cm whip antenna or external 50Ω antenna mountable
- Dimensions of PCB:** 24.0 x 42.0 x 5 mm (without wiring pins)
- Connector:** 16 pins, grid 2.0 mm (4.0 mm in length, 0.5 mm)
- Operating Temperature:**-25 up to +65 °C
- Storage Temperature:** -40 up to +85 °C, +85 up to +100 °C for 1h max.
- Humidity:** 0 % to 95 % r.h.



This product is CE certified and conforms to the R&TTE EU-Directive on radio equipment. The EnOcean 868 MHz radio technology can be approved for operating in the USA and in Canada.