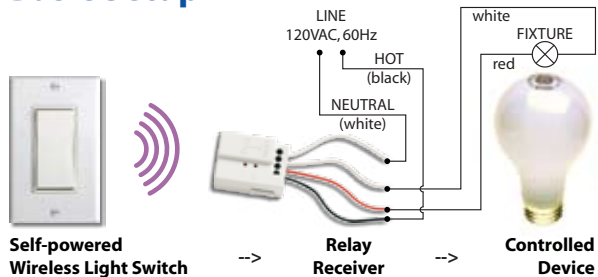


How It Works

Each self-powered wireless light switch contains an EnOcean microgenerator. The motion of the switch press generates energy to send a radio signal to a receiver which controls the light.

Basic Setup



Time and Material Savings

- Install switches quickly and easily
- Run power to fixture only; eliminate wires to switches
- Eliminate 14-3 traveler wires for multi-way switching

Convenience

- Install switches anywhere
- Control multiple receivers with one switch
- Avoid working in attics and crawl spaces

Reliability

- Operate up to 150 ft. away (50 ft. typical indoors)
- Never have a "dead" switch; no batteries required
- CSA approved to UL standards



AdHocControls.com

Frequently Asked Questions

Q: Can I install a 3-way switch with self-powered wireless light switches?

A: Yes. Battery-free wireless switches are great for multi-way switching. One 120V Relay Receiver (ExR-R12BP-1) can learn the unique code of up to 30 different switches, making multi-way switch control a snap.

Q: Can I mix Ad Hoc wireless switches with existing hardwired switches?

A: No. Hardwired switches and wireless switches should not be connected in the same circuit. In circuits where a wireless switch will be implemented, hardwired switches should be removed and replaced with a receiver and wireless switches.

Q: Can self-powered wireless devices be used around metal?

A: Yes. Our wireless light switches and receivers can be used around metal; however, the range may be reduced. To maximize range, we encourage using non-metallic cover plates and electrical boxes.


AD HOC
CONTROLS™
777 S. State Street
Orem, UT 84058
(801) 225-2226



Self-powered
WIRELESS™

No wires
No batteries
No hassle



Remodels & Retro-fits Made Easy

- Add switches quickly and easily
- Place switches anywhere
- Finish jobs faster



AdHocControls.com
(801) 225-2226

Product Line

SELF-POWERED WIRELESS LIGHT SWITCHES



Decorator Switches



Handheld Remotes



Transmission Range:
up to 150 ft.
50 ft. typical indoors

Rated for 20+ years of use

RECEIVERS



ACCESSORIES

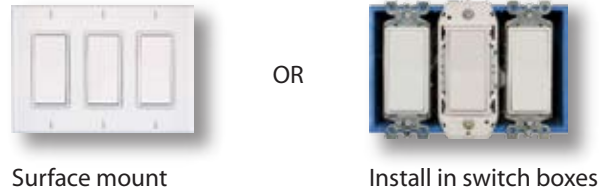


Receiver Specs.

	Input	Output	Channels	Uses
120V Relay	120 VAC	200W Incandescent 140W Ballast	1	lighting; remodels and retro-fits
120V Relay w/ Power Pack	120 VAC	600W Incandescent 1200W Ballast	1	control loads up to 1200W
120V Plug-in Dimmer/Relay	120 VAC	300W	1	lamp dimming
4/8-ch Low Voltage Relay	8-30 VDC 8-28 VAC	0-30 VDC or VAC 2A	4 or 8	integrate w/ control systems
RS-232	8-30 VDC 8-28 VAC	RS232, 9600, 8N1	n/a	connect to automation systems
4-ch Low Voltage O.C.	8-30 VDC	35V max, 100mW max	4	lighting and sensor interface

Simple Remodels & Retro-fits

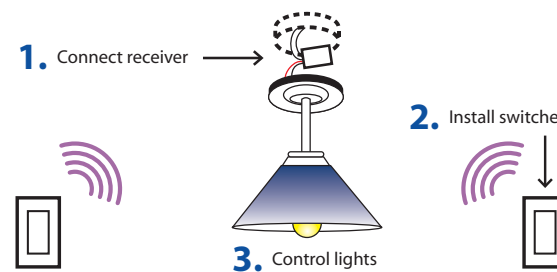
Avoid tearing into walls and running new wires. Ad Hoc self-powered wireless light switches can be surface mounted or installed in switch boxes.



- keeps installers out of the walls

Quick & Easy 3-way Switches

Install 3-way light switches in minutes with Ad Hoc self-powered wireless products. No 14-3 traveler wires are required.



- less wire
- less time

Other Applications

Easily add switches for ...

- outdoor lights
- light/fan combinations
- ceiling lights
- pull-chain lights

Quickly create ...

- stairwell 3-way switches
- hallway 3-way switches
- wheelchair accessible switches

Simplify installations for ...

- solid walls (bricks, logs, etc.)
- detached buildings
- buildings with asbestos

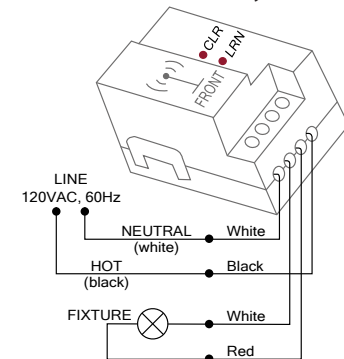
Make hard jobs easy.

“ Ad Hoc self-powered wireless switches turn a difficult job into a simple one; every electrician should carry an Ad Hoc wireless light switch kit on their truck.”

Steve Schenard
Electrical distributor
Kalispell, MT

Wire In Minutes

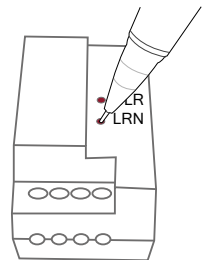
Example Circuit (features 120V Relay Receiver)



Program In Seconds

The receiver must be powered before programming. Use a non-metallic insulated probe to press receiver buttons (e.g. plastic ballpoint pen).

1. Press and hold the LRN button for 0.5 seconds. The load will begin toggling.
2. Press a self-powered wireless switch to transmit the switch's unique code to the receiver. The load will stay on for 4 seconds.*
3. When toggling resumes, exit learn mode by pressing the LRN button. To create a multi-way switch, prior to exiting learn mode press additional switches (see step 2).



* To remove the unique code of a switch from the memory of a receiver, press the programmed switch while in learn mode. The load will stay off for 4 seconds indicating the switch code has been removed from memory.