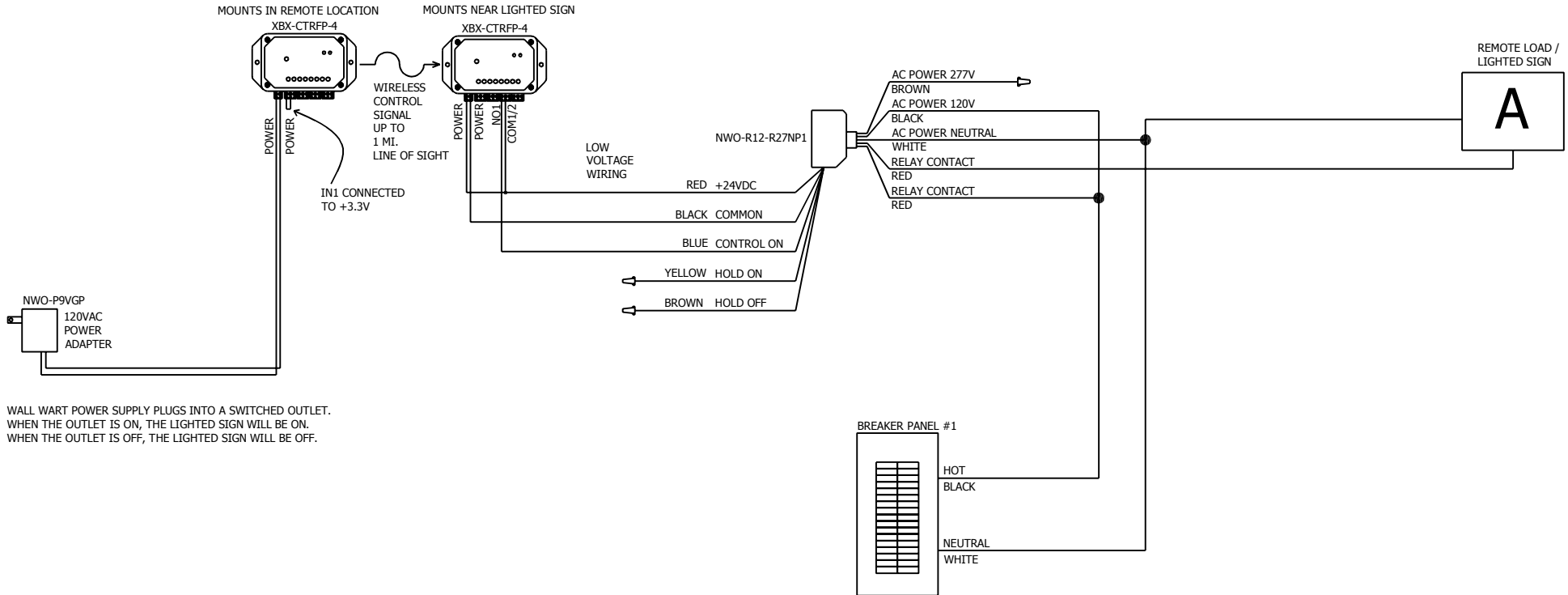


WIRELESSLY CONTROL A REMOTE LOAD, SUCH AS A LIGHTED SIGN



WALL WART POWER SUPPLY PLUGS INTO A SWITCHED OUTLET.
WHEN THE OUTLET IS ON, THE LIGHTED SIGN WILL BE ON.
WHEN THE OUTLET IS OFF, THE LIGHTED SIGN WILL BE OFF.