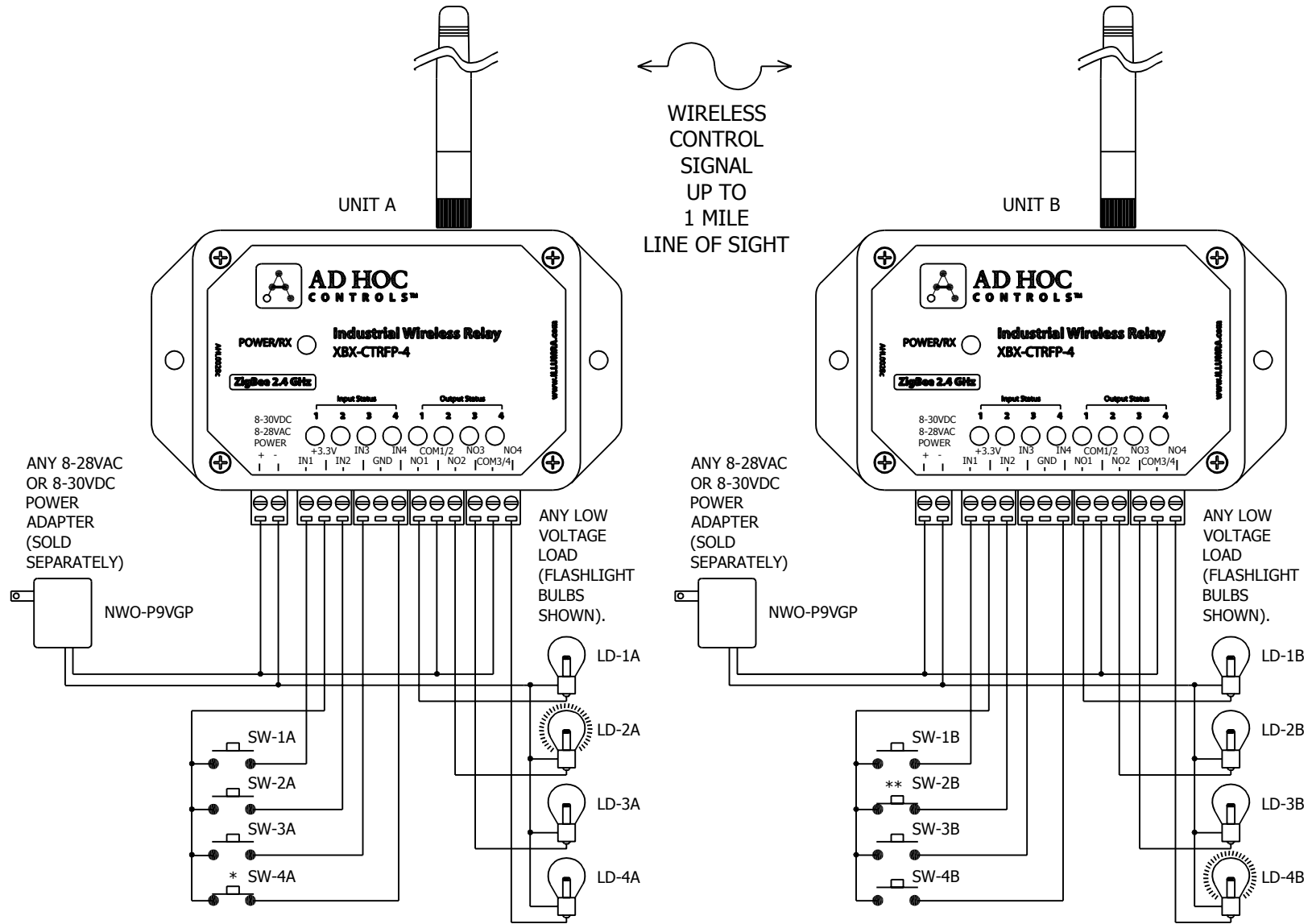


AD HOC CONTROLS
INDUSTRIAL WIRELESS RELAY



← →
WIRELESS
CONTROL
SIGNAL
UP TO
1 MILE
LINE OF SIGHT

NOTE 1:
IF AN INPUT IS ACTIVATED WITH A DC VOLTAGE,
CONNECT THE NEGATIVE SIDE TO GND (LOCATED
BETWEEN IN3 AND IN4) AND CONNECT THE POSITIVE
SIDE TO THE INPUT (IN1, IN2, IN3, OR IN4). REVERSE
POLARITY MAY CAUSE DAMAGE TO THE UNIT.

NOTE 2:
INTERNAL JUMPERS ALLOW USER TO CONFIGURE
EACH DEVICE. SEE JUMPER TABLE IN USER MANUAL.

OUTPUTS ON "UNIT A" ARE
CONTROLLED BY
CORRESPONDING INPUTS ON
"UNIT B". **NOTE: LD-2A IS
ON, BECAUSE INPUT 2 ON
"UNIT B" IS ACTIVATED BY
SW-2B.

OUTPUTS ON "UNIT B" ARE
CONTROLLED BY
CORRESPONDING INPUTS ON
"UNIT A". *NOTE: LD-4B IS
ON, BECAUSE INPUT 4 ON
"UNIT A" IS ACTIVATED BY
SW-4A.

