



# Plug-in Dimmer/Relay Receiver

RELIABLE, EASY-TO-USE SELF-POWERED WIRELESS CONTROLS

No wires. No batteries. No hassle.

The Wireless Plug-in Dimmer/Relay Receiver provides reliable wireless dimming control of lamps and other plug-in devices. The dimmer/relay is the only of its kind because it can be controlled by self-powered wireless light switches.

## RELIABLE RANGE

- 100 ft. avg. range
- Each unit can support up to 30 associations
- Integrated EnOcean radio receiver
- Error checking on all packet transfers

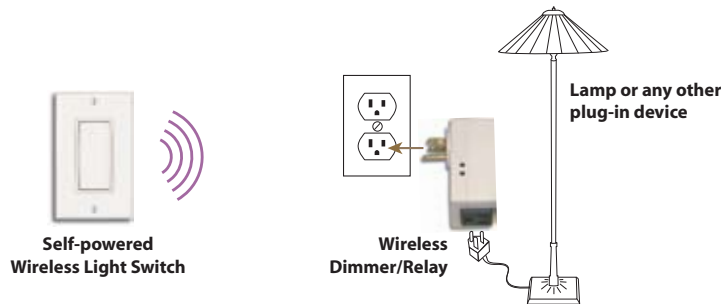
## EASY-TO-USE

- Fast installation - Plugs into any 120V outlet
- Self-powered wireless switches mount anywhere
- Rated for 20+ years of operation



Wireless Plug-in Dimmer/Relay Receiver  
(E8R-D12GP-1)

## NETWORK DIAGRAM



## Typical Application

- Lamp plugs into the Dimmer/Relay; then the Dimmer/Relay plugs into the outlet
- Wireless Light Switch mounts on the wall

Dim and control various 120V electronic devices such as:

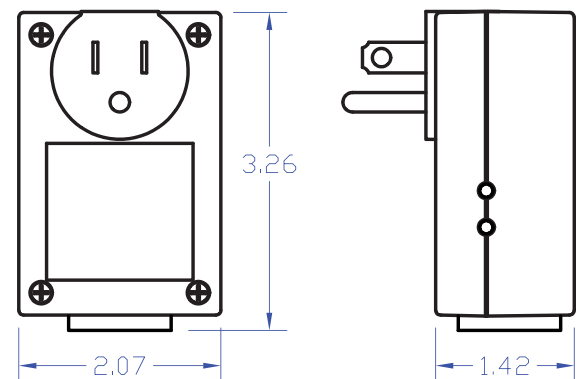
- Incandescent lamps (Dim or Relay)
- High-voltage halogen lamps (Relay only)
- Fluorescent (Relay only)
- LEDs (Relay, some LEDs are dimmable)

## EXAMPLES OF COMPATIBLE WIRELESS TRANSMITTERS



## SPECIFICATIONS

Range:	100 ft. avg. range
Power supply input	120VAC, 60 Hz
Dimmer output	120VAC, 300 Watts max (resistive) Incandescent or other dimmable loads only - No motor loads
Number of output channels	1
Frequency	868 MHz
Dimensions (enclosure)	3.26" x 1.42" x 2.07"
Weight	3.75 oz
Certifications	FCC, IC, ETL (U.S.), ETL (Canada)
Part number	E8R-D12GP-1



This device or certain aspects thereof is protected by at least one U.S. or international patent or has at least one such patent application pending.